



Electrolux
PROFESSIONAL

**Modular Cooking Range Line
thermaline 90 - Full Module
Electric Chargrill, 1 Side**

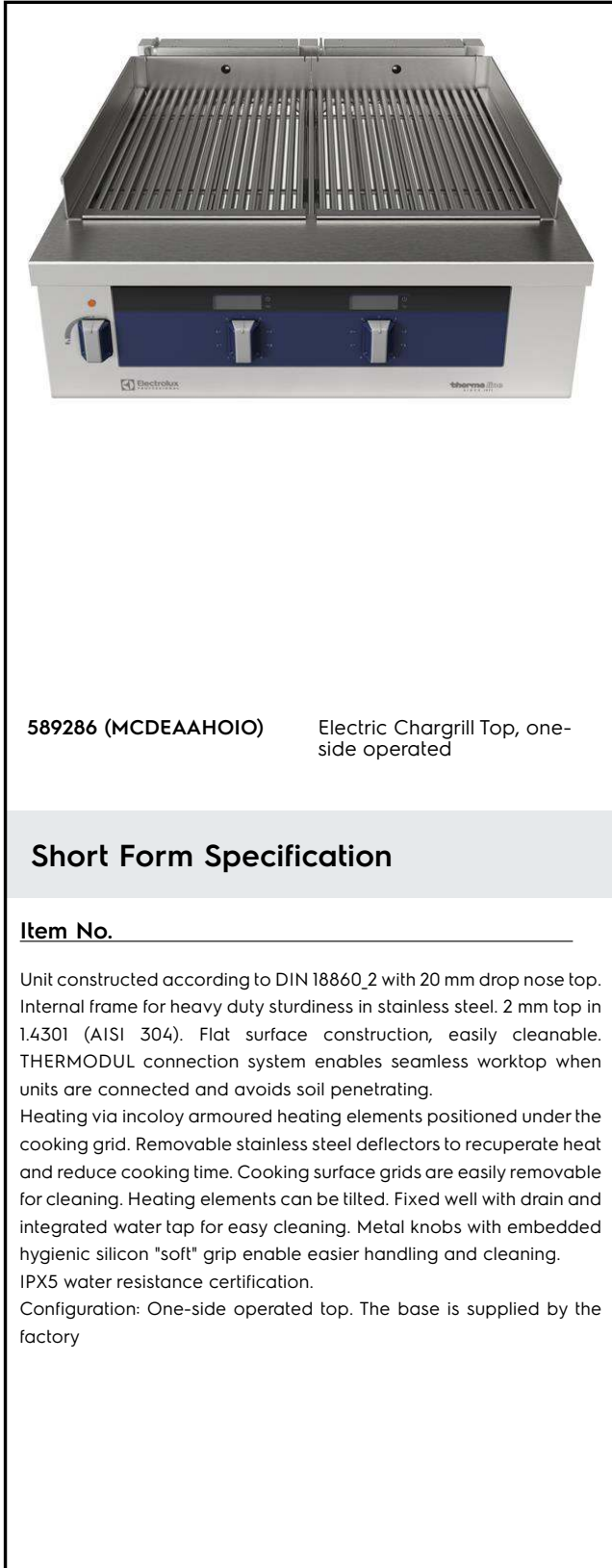
ITEM # _____

MODEL # _____

NAME # _____

SIS # _____

AIA # _____



589286 (MCDEAAHOIO) Electric Chargrill Top, one-side operated

Short Form Specification

Item No. _____

Unit constructed according to DIN 18860_2 with 20 mm drop nose top. Internal frame for heavy duty sturdiness in stainless steel. 2 mm top in 1.4301 (AISI 304). Flat surface construction, easily cleanable. THERMODUL connection system enables seamless worktop when units are connected and avoids soil penetrating. Heating via incoloy armoured heating elements positioned under the cooking grid. Removable stainless steel deflectors to recuperate heat and reduce cooking time. Cooking surface grids are easily removable for cleaning. Heating elements can be tilted. Fixed well with drain and integrated water tap for easy cleaning. Metal knobs with embedded hygienic silicon "soft" grip enable easier handling and cleaning. IPX5 water resistance certification. Configuration: One-side operated top. The base is supplied by the factory

Main Features

- Removable 2mm thick steel U-shaped grids in AISI 441 stainless steel for fast heating of cooking surface.
- Incoloy armoured heating elements positioned under the cooking grid.
- Heating elements tilt 90° for easy cleaning.
- Removable stainless steel deflectors to recuperate heat and reduce cooking time.
- Stainless steel high splash guards on the rear and sides of cooking surface.
- All major components may be easily accessed from the front.
- THERMODUL connection system creates a seamless work top when units are connected to each other thus avoiding soil penetrating vital components and facilitating the removal of units in case of replacement or service.
- Metal knobs with embedded hygienic "soft-touch" grip for easier handling and cleaning. The special design of the controls prevents infiltration of liquids or soil into vital components.
- Large visible digital display manufactured in tempered glass to resist heat and chemicals, showing temperatures or power settings. The display also shows on/off status of the appliance and on/off status of the heating elements.
- 9 power levels.
- Each bank of elements has an independent power regulation through a control knob.
- Fixed well with drain to collect residual cooking juices and grease.
- Large drain protected by overflow and filter.
- Water must be added to well before operation.
- Water filling tap with knob control.
- IPX5 water protection.

Construction

- 2 mm top in 1.4301 (AISI 304).
- Flat surface construction with minimal hidden areas to easily clean all surfaces
- Internal frame for heavy duty sturdiness in 1.4301 (AISI 304).
- Unit constructed according to DIN 18860_2 with 20 mm drop nose top and 70 mm recessed plinth.

APPROVAL: _____



Experience the Excellence
www.electroluxprofessional.com

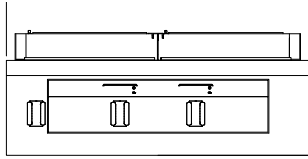
Included Accessories

- 1 of Scraper for HP electric grill PNC 206436

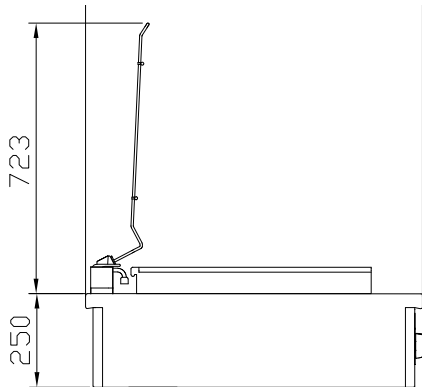
Optional Accessories

- Scraper kit with hooks for HP grills PNC 206347
- Connecting rail kit, 900mm PNC 912502
- Portioning shelf, 800mm width PNC 912526
- Portioning shelf, 800mm width PNC 912556
- Folding shelf, 300x900mm PNC 912581
- Folding shelf, 400x900mm PNC 912582
- Fixed side shelf, 200x900mm PNC 912589
- Fixed side shelf, 300x900mm PNC 912590
- Fixed side shelf, 400x900mm PNC 912591
- Endrail kit, flush-fitting, left PNC 913111
- Endrail kit, flush-fitting, right PNC 913112
- Endrail kit (12.5mm) for thermaline 90 units, left PNC 913202
- Endrail kit (12.5mm) for thermaline 90 units, right PNC 913203
- Endrail kit, (12.5mm), for back-to-back installation, left PNC 913251
- Endrail kit, (12.5mm), for back-to-back installation, right PNC 913252
- Endrail kit, flush-fitting, for back-to-back installation, left PNC 913255
- Endrail kit, flush-fitting, for back-to-back installation, right PNC 913256
- Filter W=800mm PNC 913665
- Electric mains switch 25A 4mm² NM for modular H800 electric units (factory fitted) PNC 913676
- Stainless steel cooking grid for electric grill HP - to be ordered according to the size of the grill - 900XP PNC 921025

Front

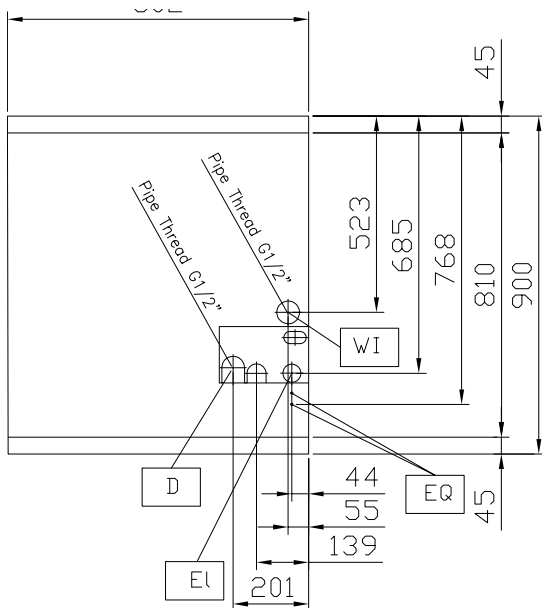


Side



- D = Drain
- EI = Electrical inlet (power)
- EQ = Equipotential screw
- WI = Water inlet

Top



Electric

Supply voltage: 400 V/3 ph/50/60 Hz
 Total Watts: 10.8 kW

Key Information:

External dimensions, Width: 800 mm
 External dimensions, Depth: 900 mm
 External dimensions, Height: 250 mm
 Net weight: 90 kg
 Configuration: One-Side Operated;Top
 Stainless Steel AISI 441 -
 Din 1.4509
 Cooking surface - material: Din 1.4509
 Grid dimensions: 686 mm